

**NEEDLE ROLLER BEARINGS WITH SEPARABLE CAGE**

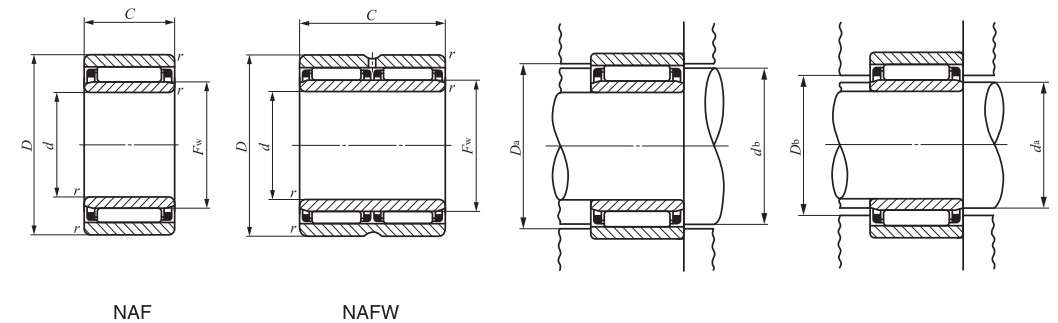
With Inner Ring



Shaft dia. 6 – 25mm

Shaft dia. mm	Identification number	Mass (Ref.) g	Boundary dimensions mm					Standard mounting dimensions mm				
			<i>d</i>	<i>D</i>	<i>C</i>	<i>r<sub>s min</sub></i> <sup>(1)</sup>	<i>F<sub>w</sub></i>	<i>d<sub>b</sub></i>	<i>D<sub>a</sub></i> Max.	<i>d<sub>a</sub></i> Min. Max.	<i>D<sub>b</sub></i>	
6	<b>NAF 61710</b>	13.5	6	17	10	0.3	10	12.4	15	8	9.7	10.4
7	<b>NAF 72012</b>	22.5	7	20	12	0.3	10	13.5	18	9	9.7	10.4
9	<b>NAF 92212</b>	24	9	22	12	0.3	12	15.5	20	11	11.5	12.4
10	<b>NAF 102213</b>	26	10	22	13	0.3	14	17.6	20	12	13	14.6
	<b>NAFW 102220</b>	40	10	22	20	0.3	14	17.6	20	12	13	14.6
	<b>NAF 102612</b>	36	10	26	12	0.3	14	19.4	24	12	13	14.6
12	<b>NAF 122413</b>	29.5	12	24	13	0.3	16	19.6	22	14	15	16.6
	<b>NAFW 122420</b>	45.5	12	24	20	0.3	16	19.6	22	14	15	16.6
	<b>NAF 122812</b>	40	12	28	12	0.3	16	21.4	26	14	15	16.6
15	<b>NAF 152813</b>	38.5	15	28	13	0.3	20	23.6	26	17	19	20.6
	<b>NAFW 152826</b>	77.5	15	28	26	0.3	20	23.6	26	17	19	20.6
	<b>NAF 153212</b>	50.5	15	32	12	0.3	20	25.4	30	17	19	20.6
17	<b>NAF 173013</b>	42.5	17	30	13	0.3	22	25.6	28	19	21	22.6
	<b>NAFW 173026</b>	84.5	17	30	26	0.3	22	25.6	28	19	21	22.6
	<b>NAF 173516</b>	77.5	17	35	16	0.3	22	27.8	33	19	21	22.6
	<b>NAFW 173532</b>	155	17	35	32	0.3	22	27.8	33	19	21	22.6
20	<b>NAF 203517</b>	74	20	35	17	0.3	25	29.5	33	22	24	25.6
	<b>NAFW 203526</b>	114	20	35	26	0.3	25	29.5	33	22	24	25.6
	<b>NAF 203716</b>	79	20	37	16	0.3	25	30.4	35	22	24	25.6
	<b>NAFW 203732</b>	158	20	37	32	0.3	25	30.4	35	22	24	25.6
25	<b>NAF 254017</b>	87.5	25	40	17	0.3	30	34.5	38	27	29	30.6
	<b>NAFW 254026</b>	135	25	40	26	0.3	30	34.5	38	27	29	30.6
	<b>NAF 254216</b>	94	25	42	16	0.3	30	35.4	40	27	29	30.6
	<b>NAFW 254232</b>	186	25	42	32	0.3	30	35.4	40	27	29	30.6

Notes<sup>(1)</sup> Minimum allowable value of chamfer dimension *r*  
<sup>(2)</sup> Allowable rotational speed applies to oil lubrication. For grease lubrication, a maximum of 50% of this value is allowable.  
 Remarks1. NAF has no oil hole. NAFW is provided with an oil groove and an oil hole on the outer ring.  
 2. No grease is prepacked. Perform proper lubrication.



Basic dynamic load rating <i>C</i> N	Basic static load rating <i>C<sub>0</sub></i> N	Allowable rotational speed <sup>(2)</sup> min <sup>-1</sup>	Assembled inner ring
4 160	4 550	50 000	<b>LRT 61010</b>
5 940	6 000	50 000	<b>LRT 71012-1</b>
9 030	8 460	40 000	<b>LRT 91212</b>
7 860	9 410	35 000	<b>LRT 101413</b>
10 800	14 200	35 000	<b>LRT 101420</b>
9 790	9 680	35 000	<b>LRT 101412</b>
8 620	11 000	30 000	<b>LRT 121613</b>
11 900	16 700	30 000	<b>LRT 121620</b>
10 500	10 900	30 000	<b>LRT 121612</b>
9 590	13 500	25 000	<b>LRT 152013</b>
16 400	27 100	25 000	<b>LRT 152026</b>
12 400	14 300	25 000	<b>LRT 152012</b>
10 200	15 200	25 000	<b>LRT 172213</b>
17 500	30 300	25 000	<b>LRT 172226</b>
17 600	20 900	25 000	<b>LRT 172216</b>
30 200	41 800	25 000	<b>LRT 172232</b>
17 300	26 600	20 000	<b>LRT 202517</b>
22 400	37 200	20 000	<b>LRT 202526</b>
19 400	24 500	20 000	<b>LRT 202516</b>
33 200	49 000	20 000	<b>LRT 202532</b>
18 700	31 100	17 000	<b>LRT 253017</b>
24 200	43 400	17 000	<b>LRT 253026</b>
20 800	28 400	17 000	<b>LRT 253016</b>
35 700	56 800	17 000	<b>LRT 253032</b>